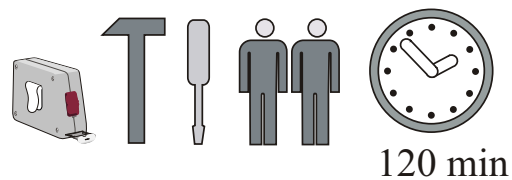
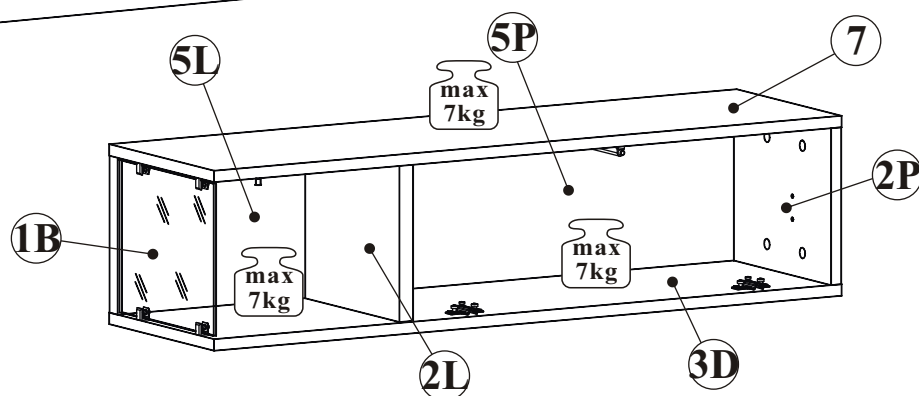
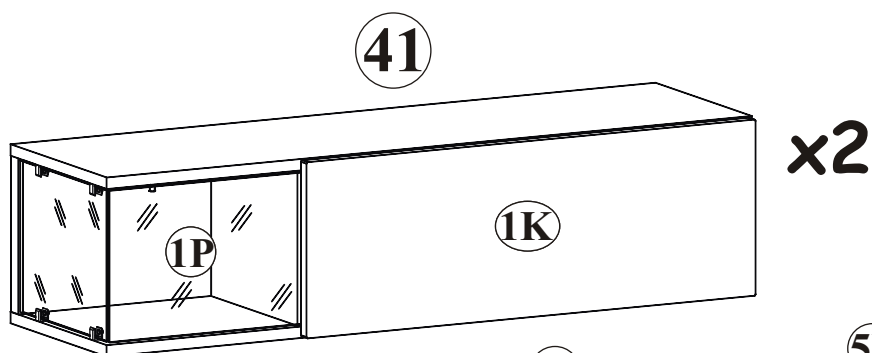
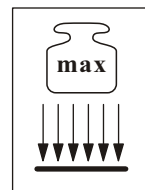
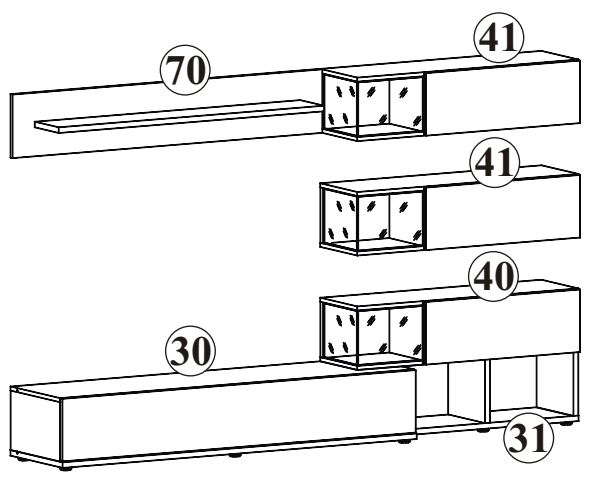


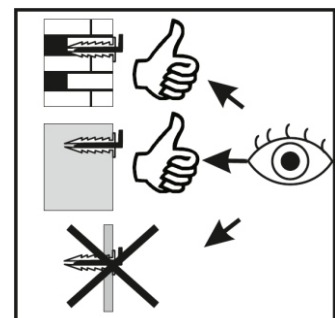
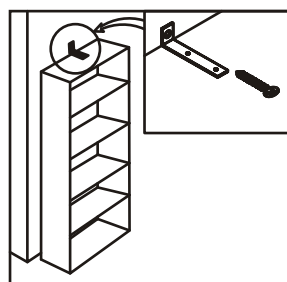
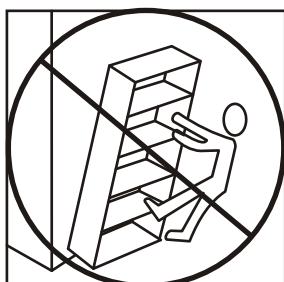
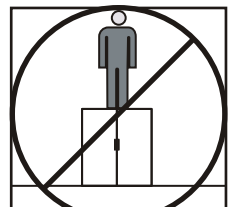
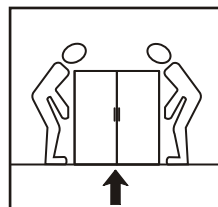
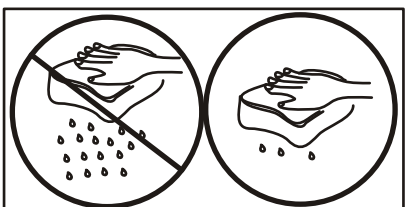
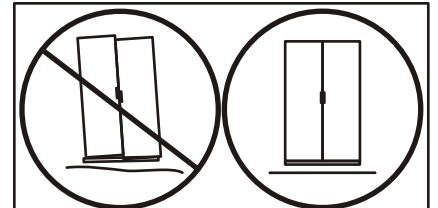
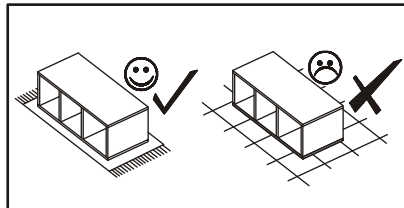
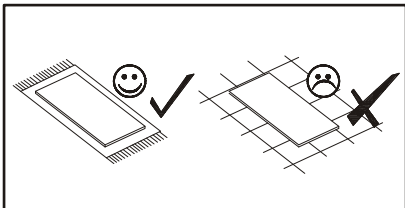
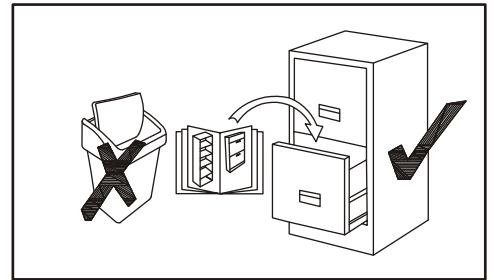
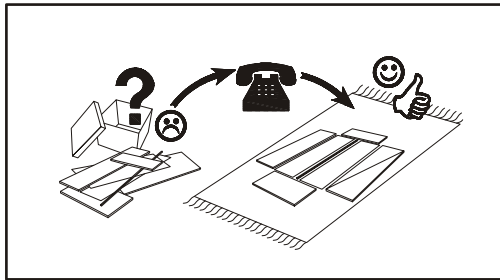
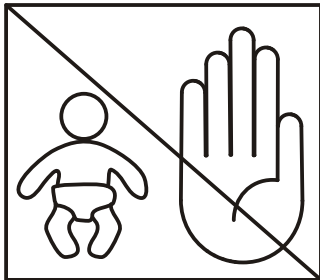
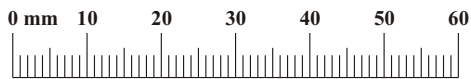
SILK TYP 41



NO	Dim.			Col.-No	Qty
1K	696	246	16	3 / 3.	2
1P	212	318	4	3 / 3.	2
1B	212	255	4	3 / 3.	2
2L	277	218	22	3 / 3.	2
2P	218	284	16	3 / 3.	2
3D	1000	284	16	3 / 3.	2
5L	299	218	22	3 / 3.	2
5P	230	674	3	3 / 3.	2
7	1000	284	16	3 / 3.	2

SILK TYP 41

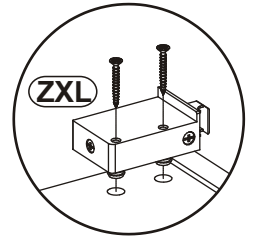
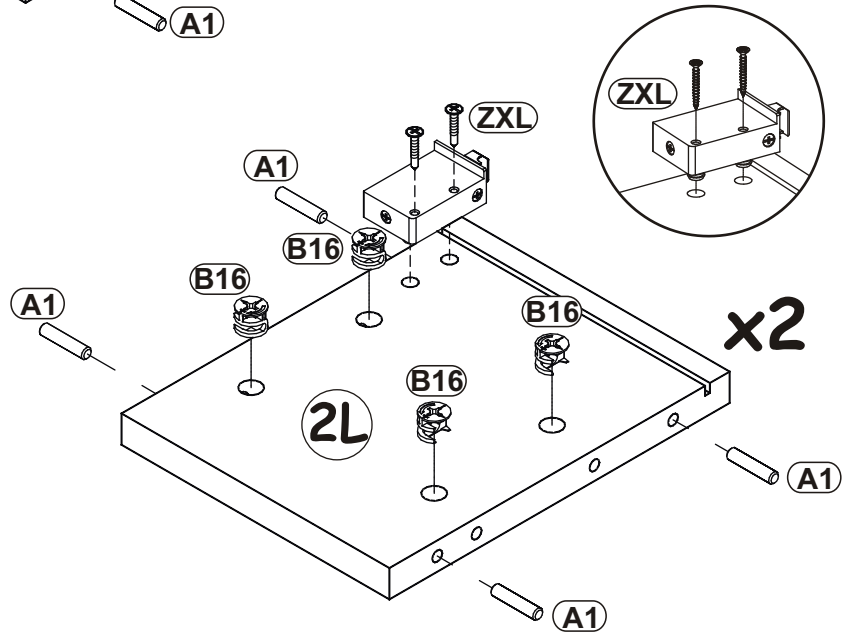
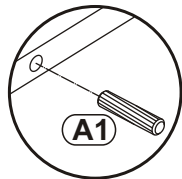
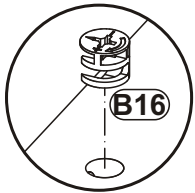
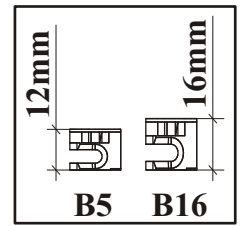
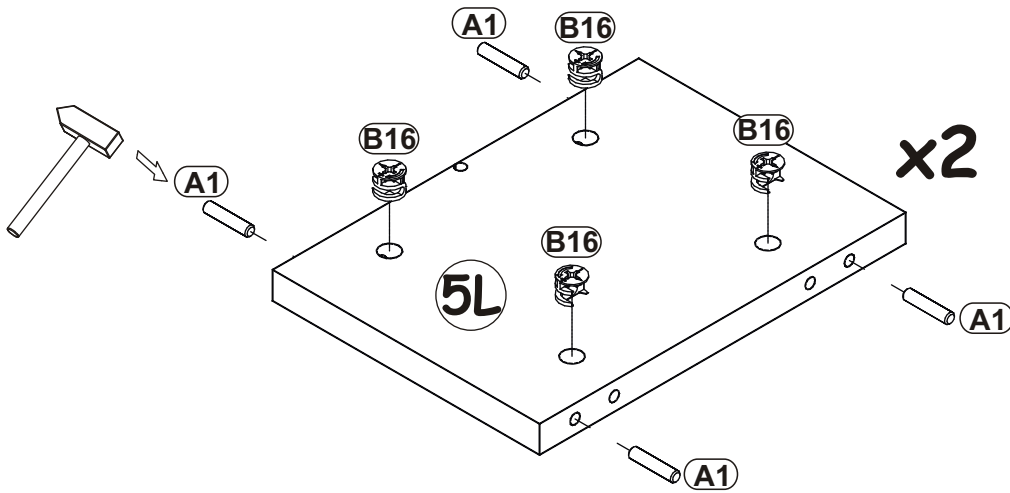
A1 x24 ø8x36	B4 x24	B5 x8 Ø15x12	B16 x16 Ø15x16	G5 x24	OD2 x1
E21 x4 Ø35 H=0	E2 x4 H=0	D10 x18 USØ3,5x13	G21 x2	D7 x6 USØ3x16	S1 x12
ZXL x2	ZXP x2	G20 x2	G32 x8	P2 x6	UP13 x6 UPØ3x16
KR2 x4	G2 x1				



SILK TYP 41

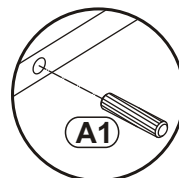
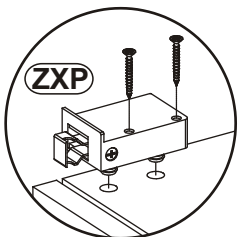
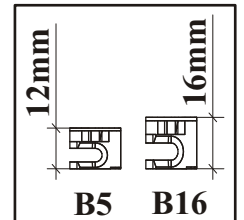
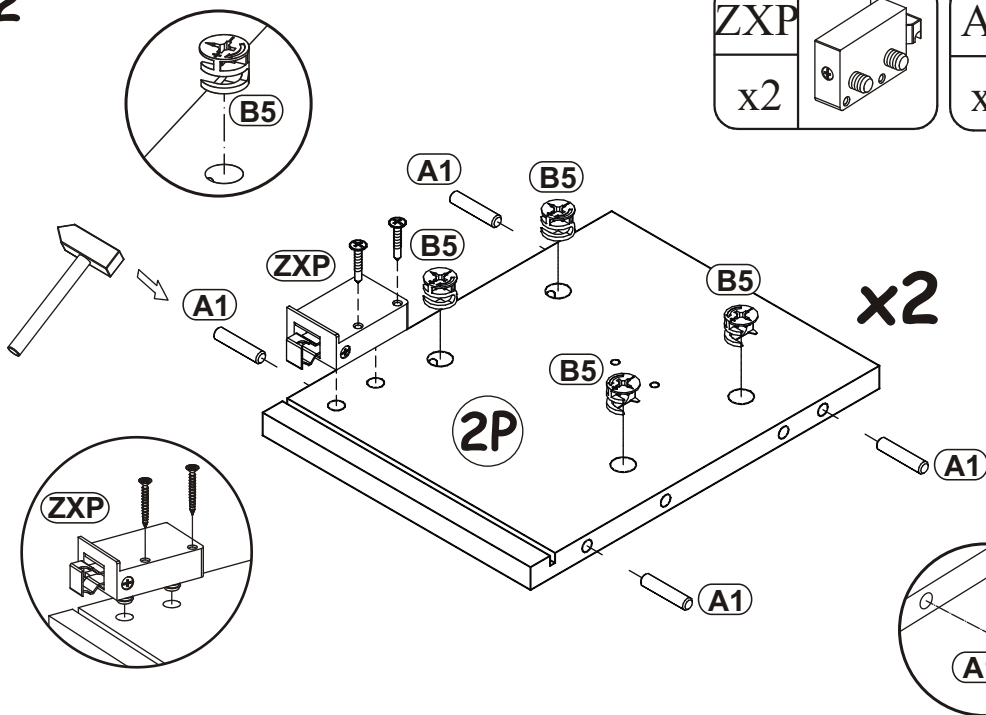
1

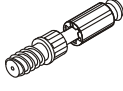
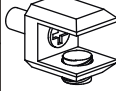
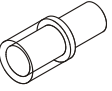
ZXL		A1		B16	
x2		x16	ø8x36	x16	Ø15x16



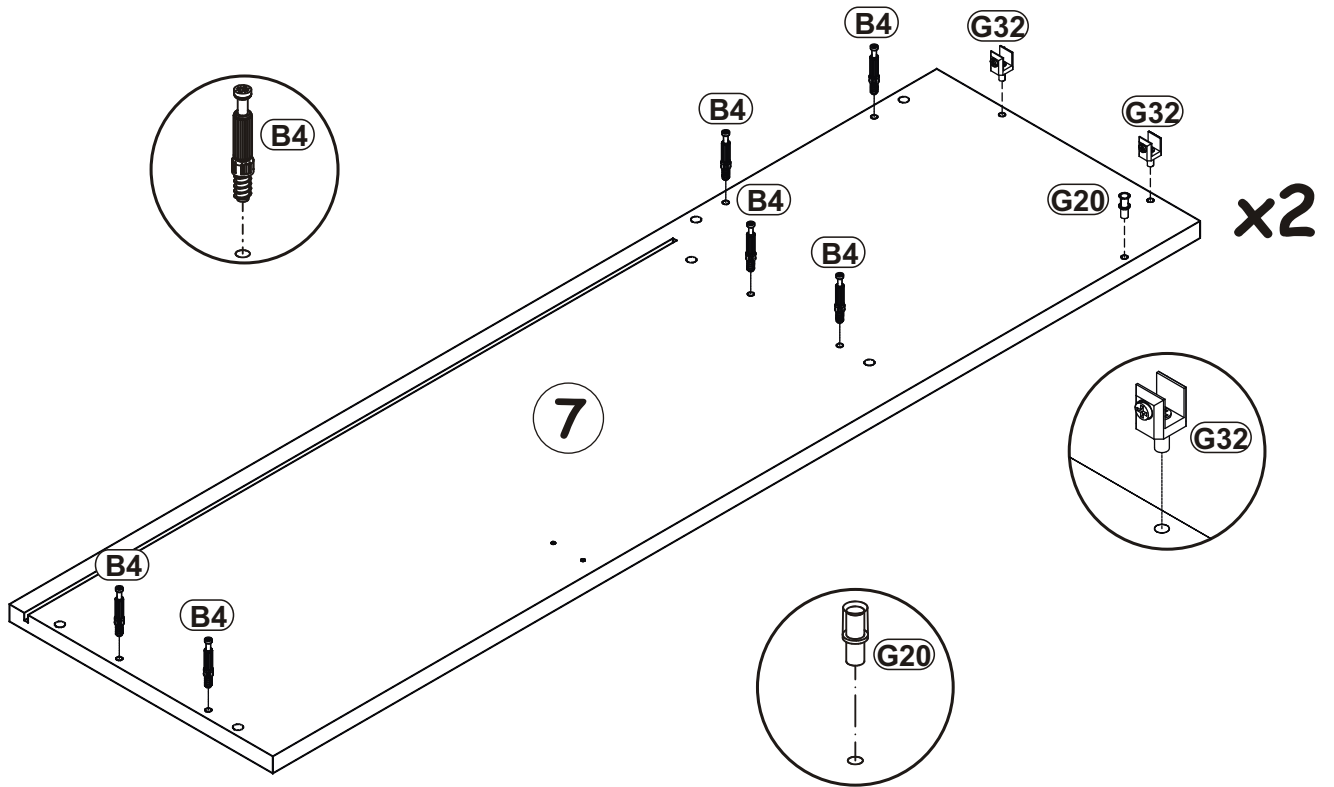
2

ZXP		A1		B5	
x2		x8	ø8x36	x8	Ø15x12

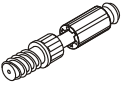
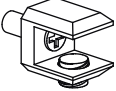
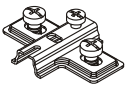


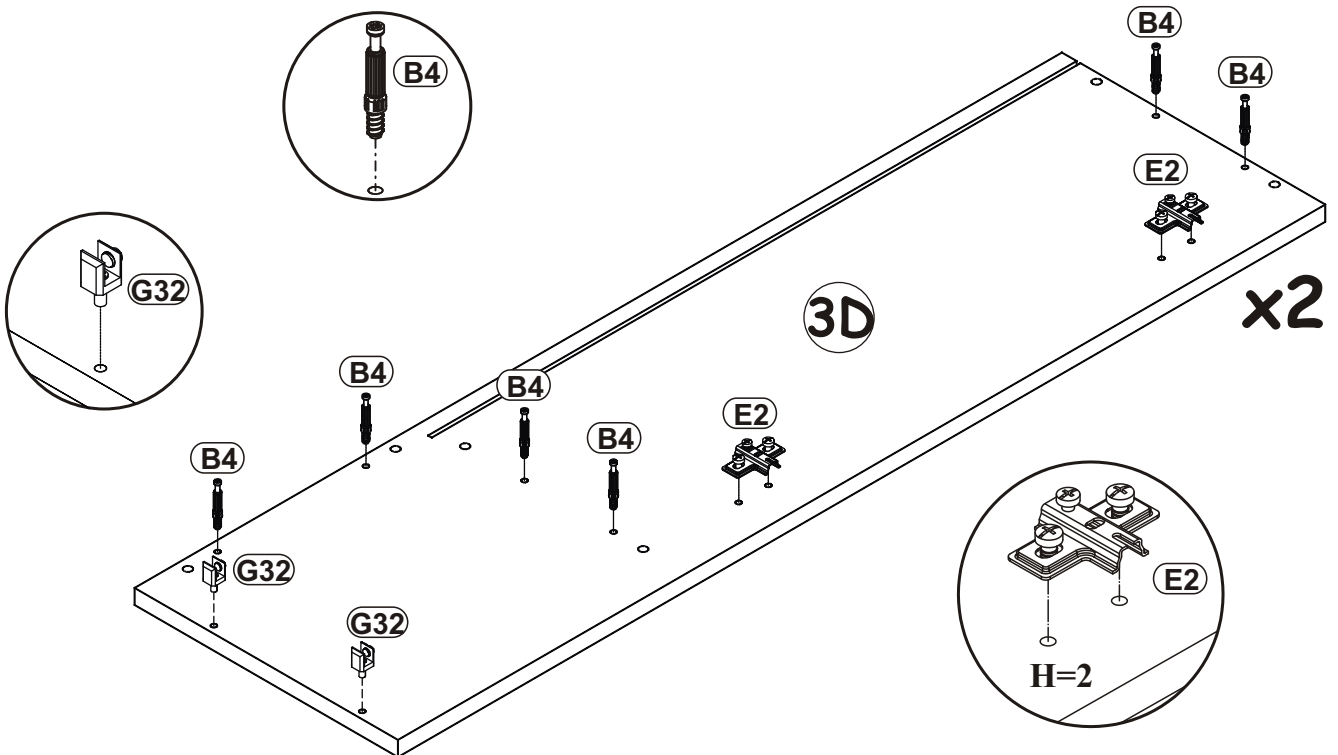
B4		G32		G20	
x12		x4		x2	

3

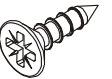


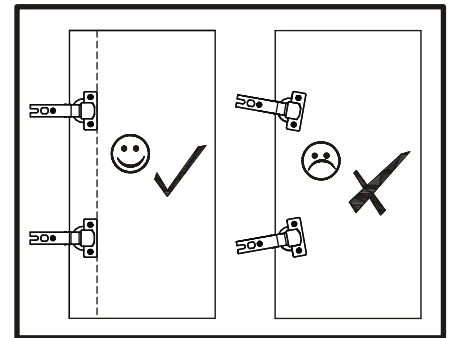
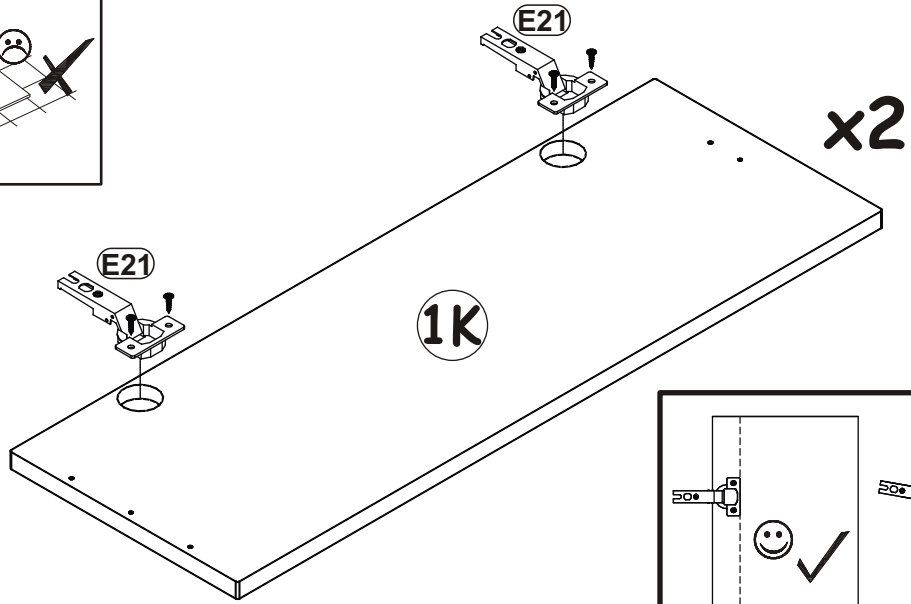
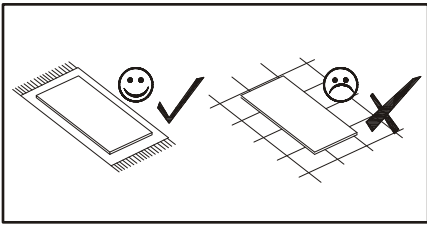
4

B4		G32		E2	
x12		x4		x4	H=0




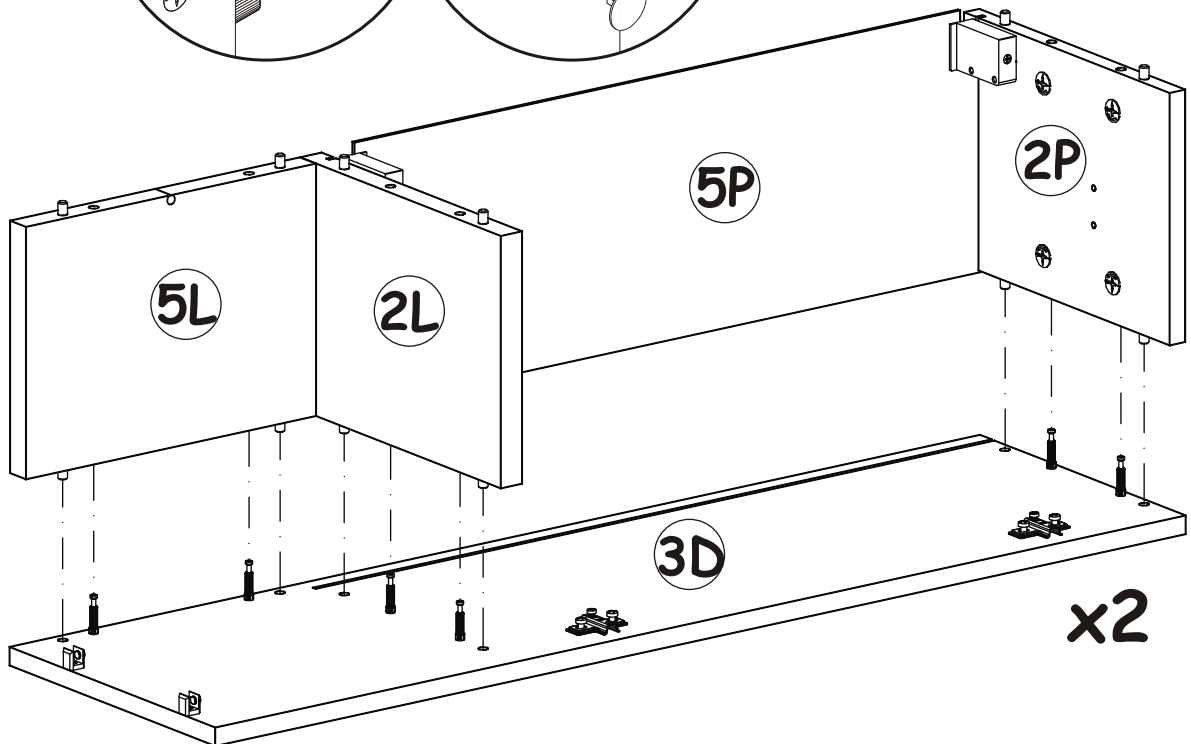
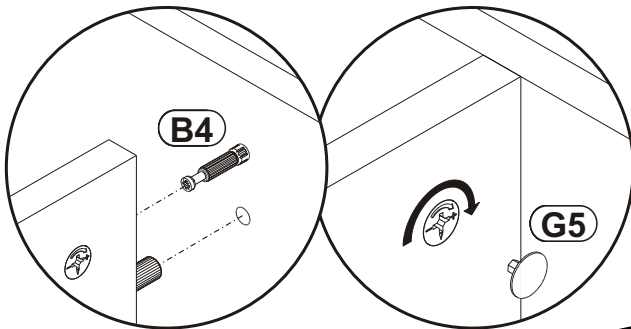
5

E21	Ø35	D10	 USØ3,5x13
x4	H=0	x8	

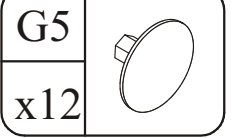
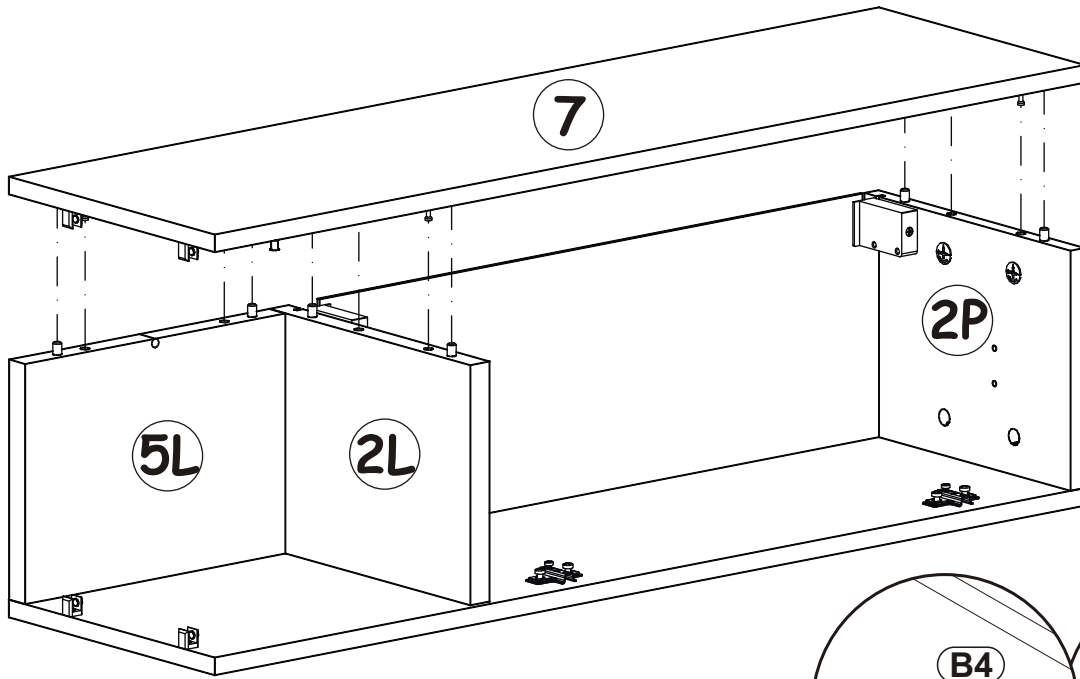


6

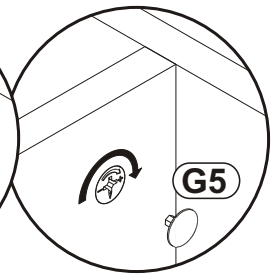
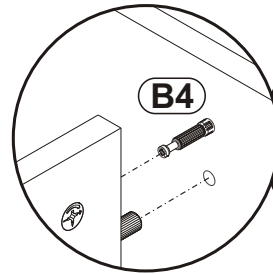
G5	
x12	



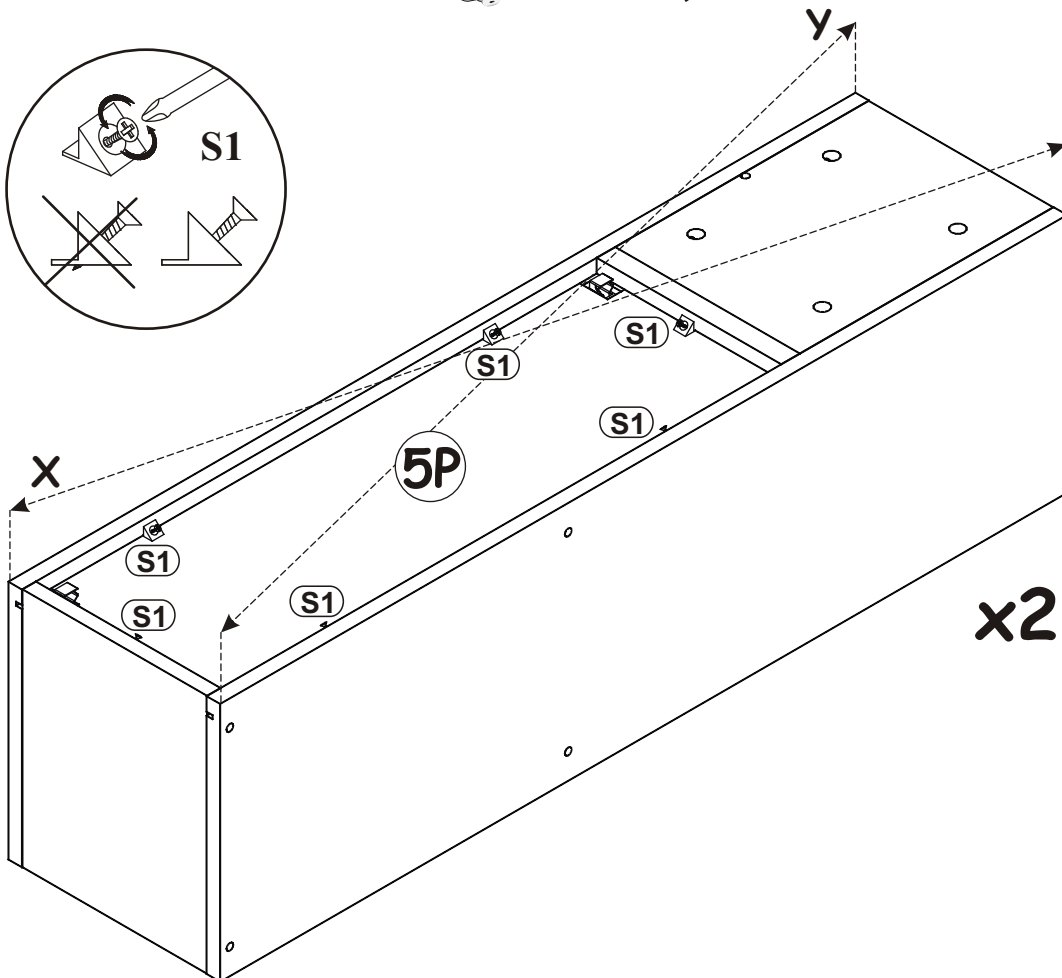
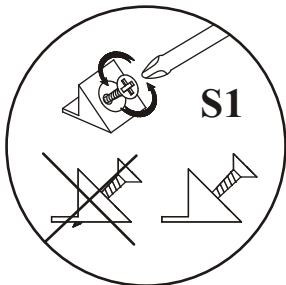
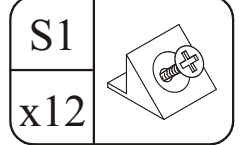
7



x2

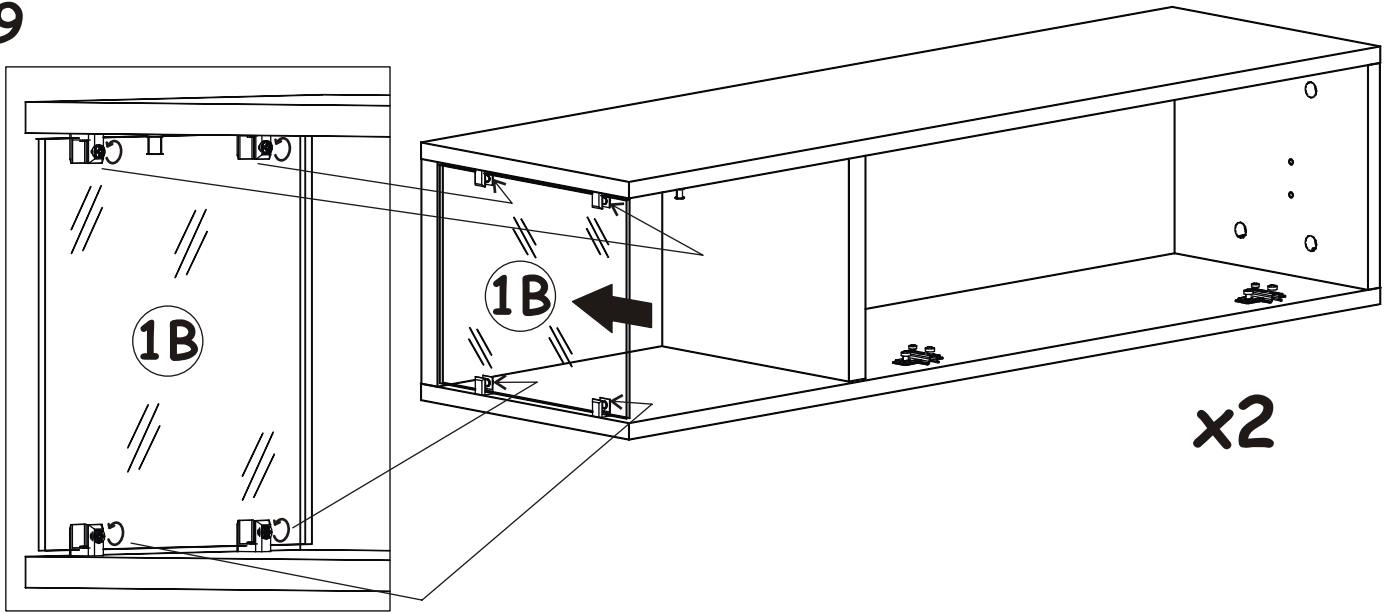


8

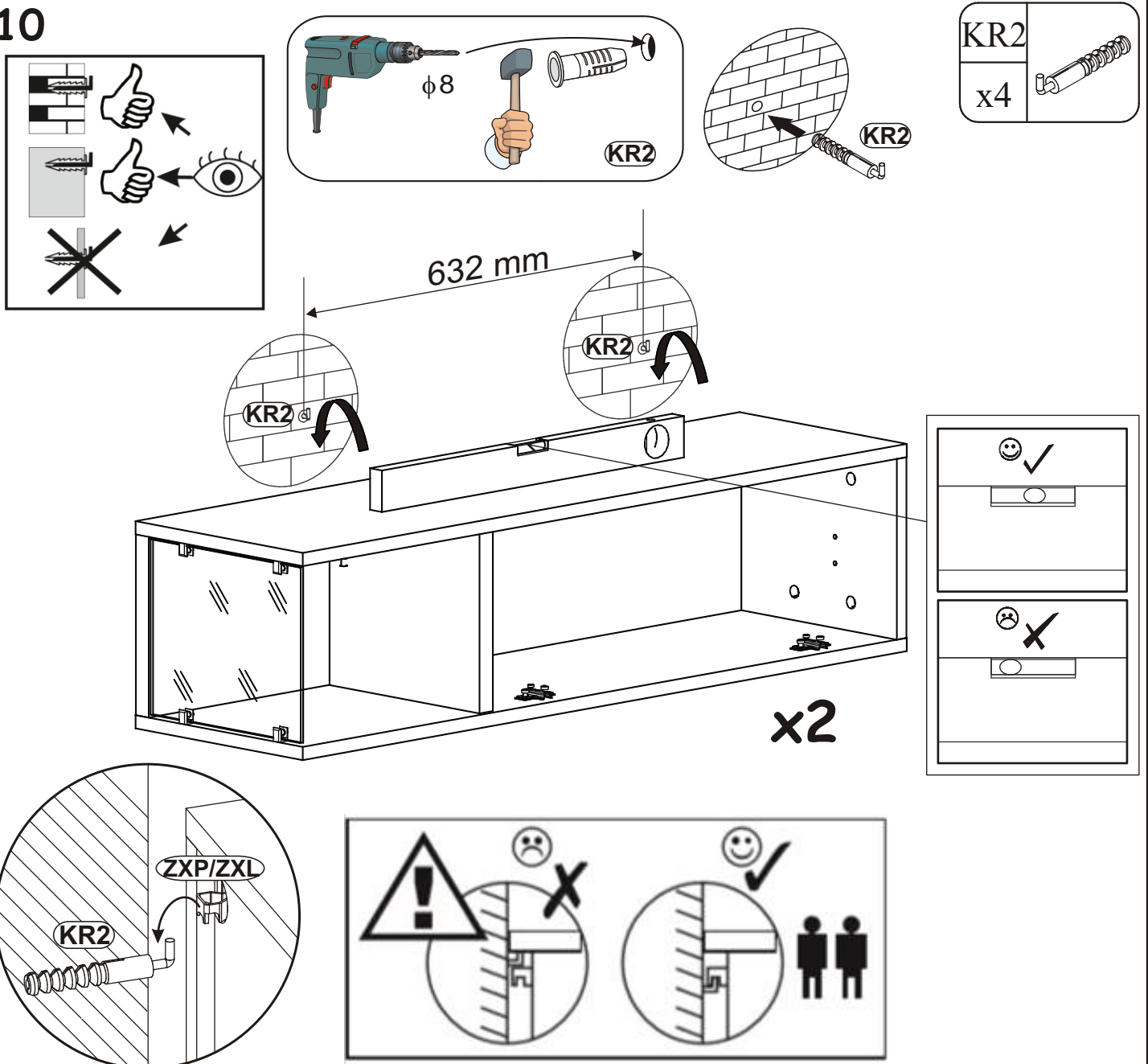


x2




9

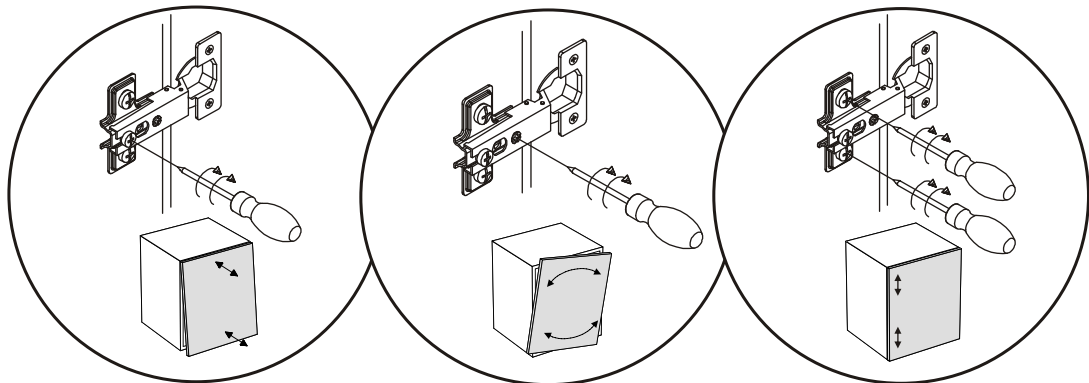
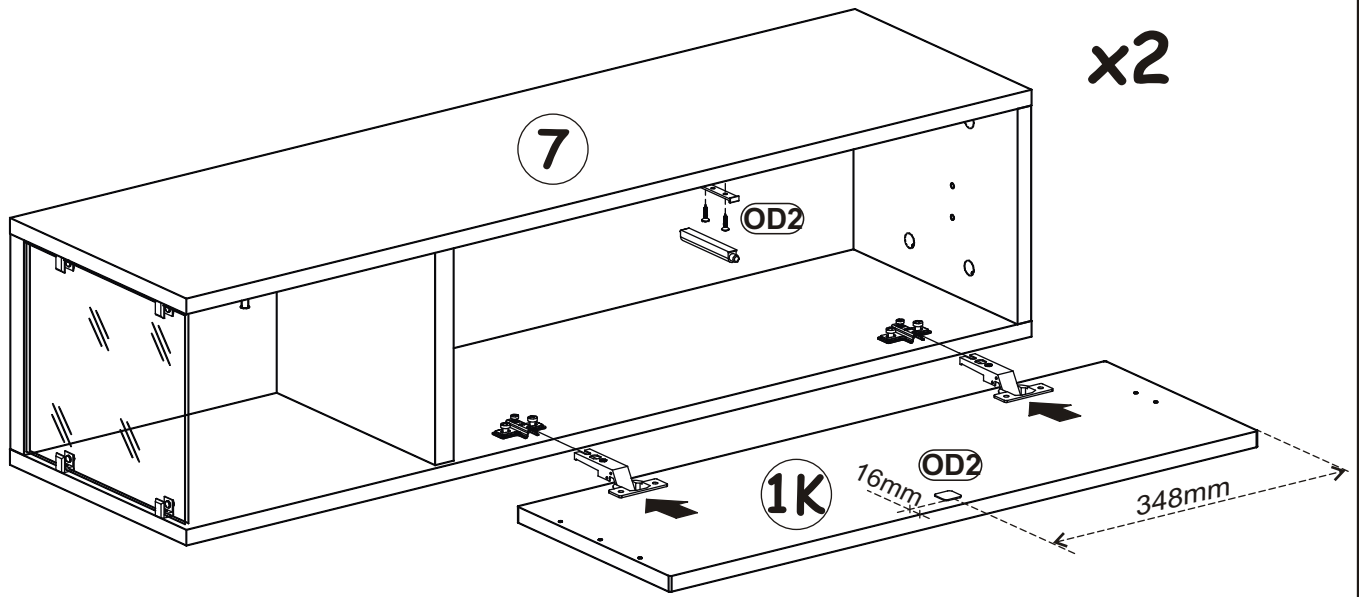
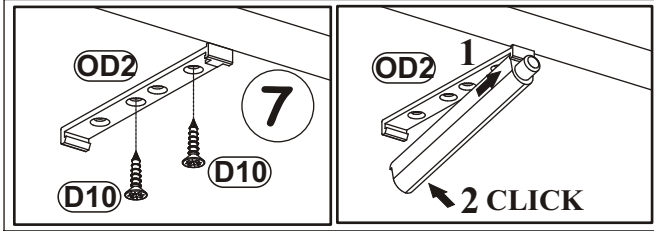



10

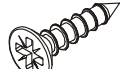


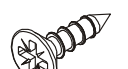
11

OD2		D10	
x2		x4	US03,5x13

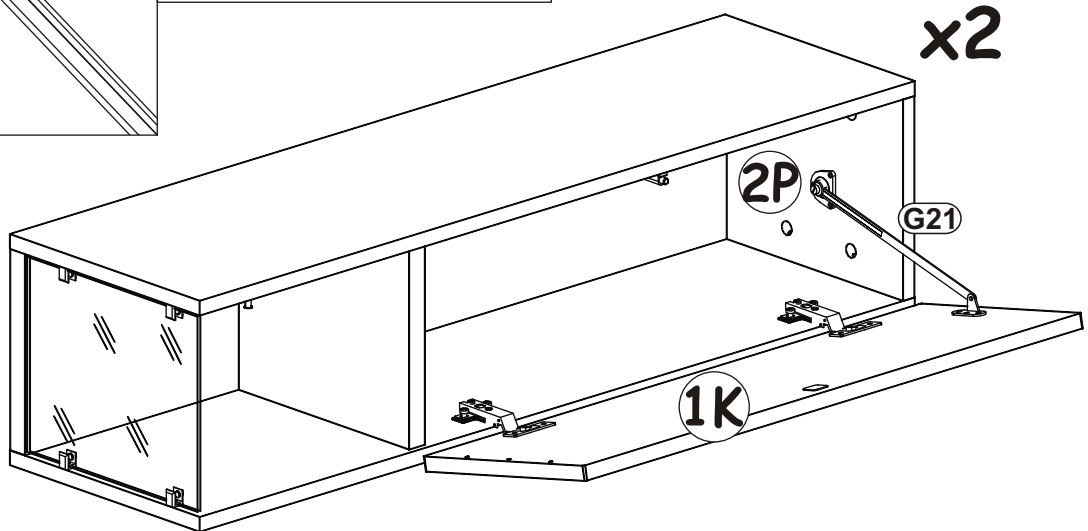
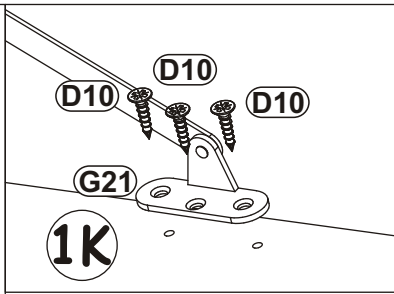
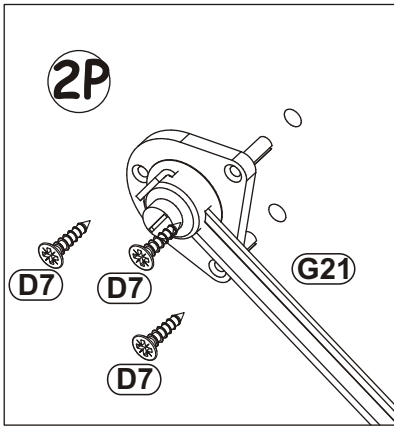


G21	
x2	


D7	
x6	USØ3x16


D10	
x6	USØ3,5x13

12



13

P2	
x6	

UP13	
x6	UPØ3x16

